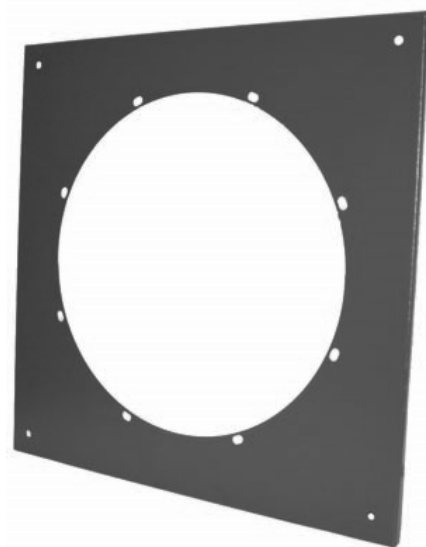




SU W

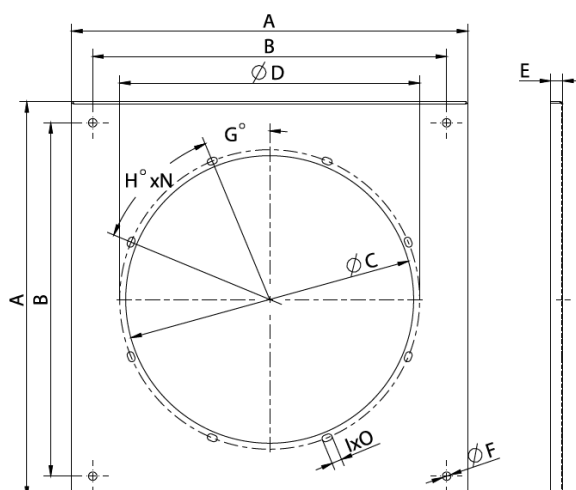


SU W

Telaio di montaggio quadrato per ventilatori MHP - Square mounting frame for MHP fans

- Telaio di supporto quadrato per installazione.
- Realizzato in acciaio e protetto dalla corrosione con polvere di resina poliesteri.
- Square support frame to subject in a different way.
- Made of steel and protected against corrosion with polyester resin powder.

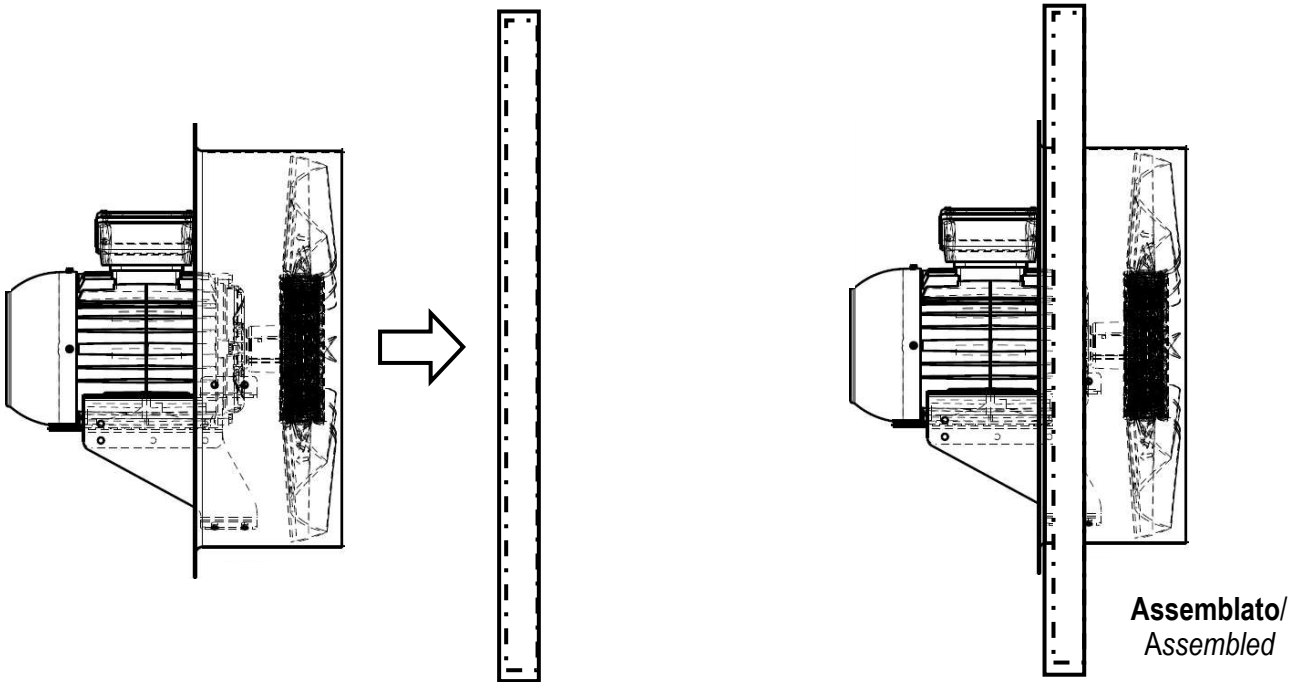
Caratteristiche dei modelli – Models characteristics



Descrizione Description	Codice Code	A	B	C	D	E	Spessore Thickness	F	G	H x N	I x O
SU-W 35	21974	550	480	378	395	20	2	14	22,5°	45°x8	17x11
SU-W 40	21975	600	530	421	450	20	2	14	22,5°	45°x8	17x11
SU-W 45	21976	660	590	480	500	20	2	14	22,5°	45°x8	17x11
SU-W 50	21977	715	645	538	560	20	2	14	15°	30°x12	17x11
SU-W 56	21978	760	690	585	620	20	2	14	15°	30°x12	17x11
SU-W 63	21979	830	760	655	690	20	2	14	15°	30°x12	17x11
SU-W 71	21980	915	845	740	770	25	2	14	11,3°	22,5°x16	17x11
SU-W 80	21981	1050	980	825	860	25	2	14	11,3°	22,5°x16	17x11
SU-W 90	21982	1150	1080	925	970	25	2	18	11,3°	22,5°x16	17x11
SU-W 100	21983	1250	1180	1034	1070	25	2	18	11,3°	22,5°x16	17x11

Montaggio – Assembly

Schema di montaggio del ventilatore sul telaio: /Diagram of mounting the fan on the frame:



Nota: le viti di fissaggio sono incluse con il prodotto/ Note: the fixing screws are included with the product

NOTES



The company Vortice S.p.A. reserves the right to make improvements to products at any time and without prior notice.
La société Vortice S.p.A. se réserve le droit d'apporter toutes les variations afin d'améliorer ses produits en cours de commercialisation.
Die Firma Vortice S.p.A. behält sich vor, alle eventuellen Verbesserungsänderungen an den Produkten des Verkaufsangebots vorzunehmen.
La compañía Vortice S.p.A. se reserva el derecho de incorporar todas las mejoras necesarias a los productos en fase de venta.
Vortice S.p.A. 公司 股份有限公司 保留在产品销售期间进行产品改良的权利。

VORTICE S.p.A
Strada Cerca, 2- frazione di Zoate
20067 TRIBIANO (MI)
Tel. +39 02-90.69.91
ITALIA
vortice.com
posvendita@vortice-italy.com

VORTICE LATAM S.A.
3er Piso, Oficina 9-B, Edificio
Meridiano
Guachipelin, Escazú ; San José
PO Box 10-1251
Tel +506 2201 6242;
COSTA RICA
vortice-latam.com
info@vortice-latam.com

VORTICE LIMITED
Beeches House-Eastern Avenue
Burton on Trent
DE 13 0BB
Tel.+44 12383-49.29.49
UNITED KINGDOM
vortice.ltd.uk
sales@vortice.ltd.uk

VORTICE VENTILATION SYSTEM (CHANGZHOU) CO.LTD
Building 19, No.388 West Huanghe Road, Xinbei District,
Changzhou, Jiangsu Province CAP:213000
CHINA
vortice-china.com
vortice@vortice-china.com