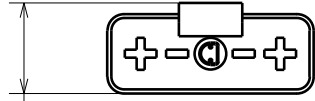
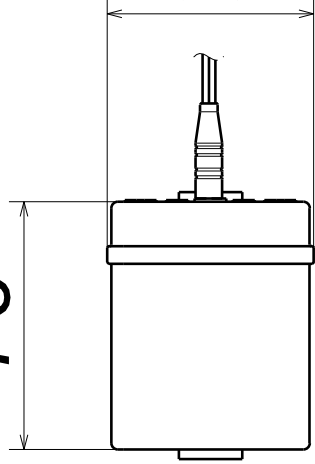


29

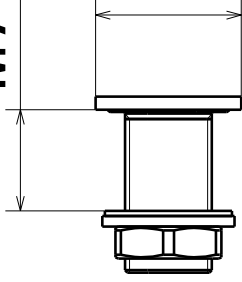


78



65

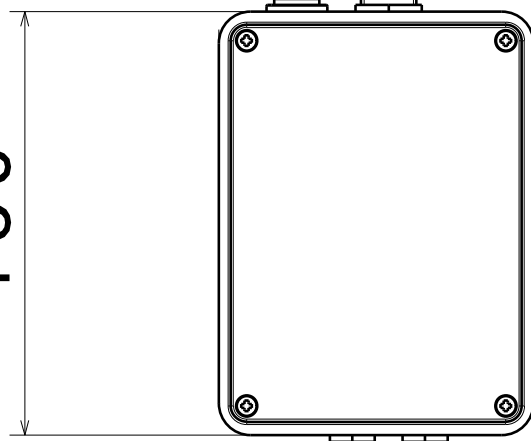
MAX. 50



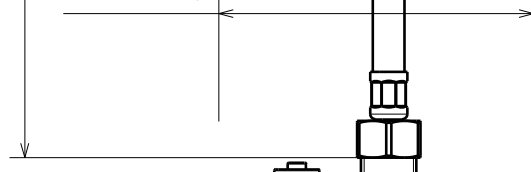
55



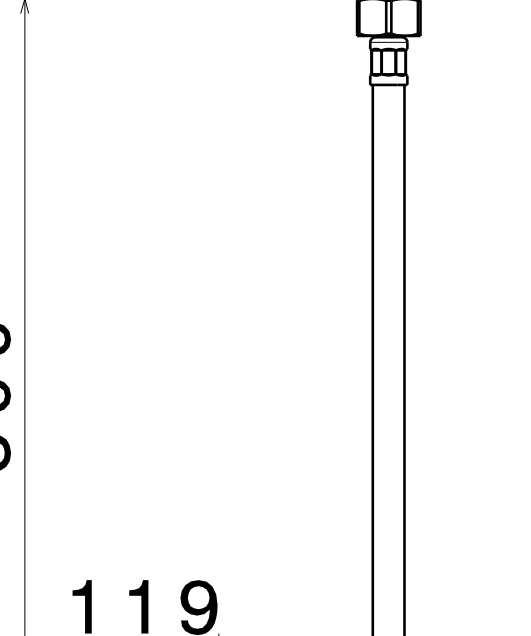
160



119



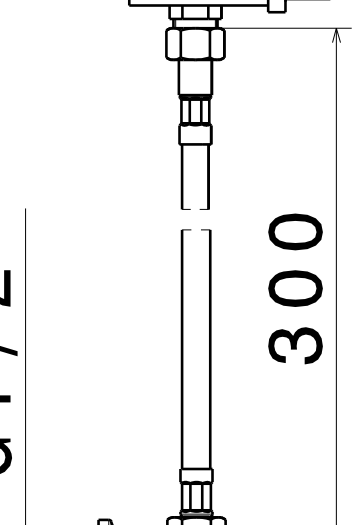
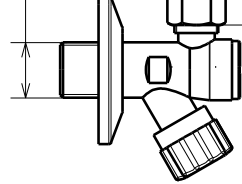
300



∅ 50

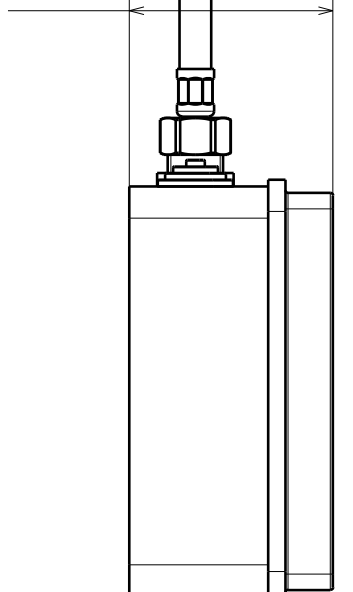


G1/2"



300

77



G1/2"

