

	SCHEDA TECNICA TECHNICAL SHEET	Date: 24/05/2016	Rev/0

Codice / Code: Z005393	Descrizione / description: Miscelatore incasso con doccia a pulsante, supporto presa acqua 1/2" M c/ arresto acqua di sicurezza e flessibile Cromolux retinato nylon cm 80-125. <i>Concealed shower mixer, bidet handspray, 1/2" M shower holder w/water supply and safety stop valve, Cromolux reinforced nylon hose 80-125 cm.</i>
---	---


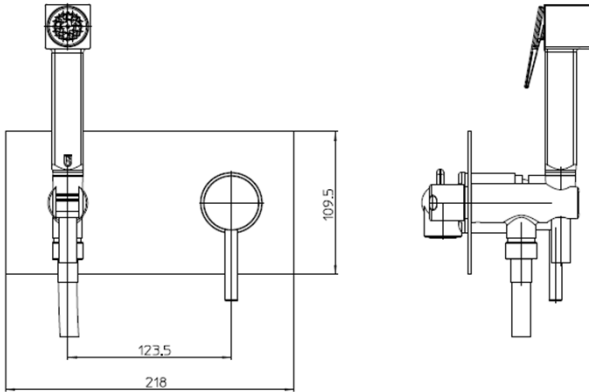
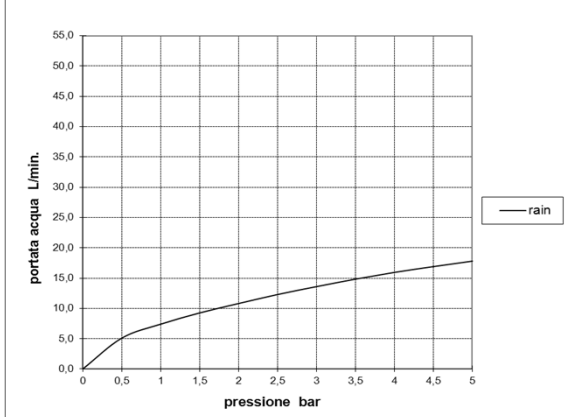
Foto / image 	Disegni / drawings 
--	---

Grafico di portata / Flow rate diagram																										
<table border="1"> <thead> <tr> <th></th> <th>rain</th> </tr> </thead> <tbody> <tr><td>0</td><td>0,0</td></tr> <tr><td>0,5</td><td>5,1</td></tr> <tr><td>1</td><td>7,4</td></tr> <tr><td>1,5</td><td>9,3</td></tr> <tr><td>2</td><td>10,8</td></tr> <tr><td>2,5</td><td>12,3</td></tr> <tr><td>3</td><td>13,6</td></tr> <tr><td>3,5</td><td>14,8</td></tr> <tr><td>4</td><td>16,0</td></tr> <tr><td>4,5</td><td>16,9</td></tr> <tr><td>5</td><td>17,8</td></tr> <tr> <td>pressione bar</td> <td>portata L/min</td> </tr> </tbody> </table>			rain	0	0,0	0,5	5,1	1	7,4	1,5	9,3	2	10,8	2,5	12,3	3	13,6	3,5	14,8	4	16,0	4,5	16,9	5	17,8	pressione bar
	rain																									
0	0,0																									
0,5	5,1																									
1	7,4																									
1,5	9,3																									
2	10,8																									
2,5	12,3																									
3	13,6																									
3,5	14,8																									
4	16,0																									
4,5	16,9																									
5	17,8																									
pressione bar	portata L/min																									

MATERIALI / materials PIASTRE IN ACCIAIO AISI 304, GUARNIZIONE DI TENUTA EPDM, RACCORDERIA OTTONE, DOCCIA OTTONE, FLESSIBILE RETINATO NYLON - PLATES MADE BY STAINLESS STEEL, SEALS BY EPDM AND FITTINGS BY BRASS, HANDSHOWER BY BRASS, SHOWER HOSE BY NYLON REINFORCED
--

CARATTERISTICHE IDRAULICHE / hydraulic features			
	pressione pressure	portata flow rate	temperatura temperature
min	1 bar	/	--
max	5 bar	/	<70°C
consigliata recommended	2-3 bar	5 L/min	--
		solo per miscelatori termostatici only for thermostatic mixers	
		Blocco di sicurezza safety lock	/
		Temperatura acqua fredda cold water temperature	/
		Temperatura acqua calda hot water temperature	/

CERTIFICAZIONI / CERTIFICATIONS
--

CONFORMITA' / CONFORMITY Chrome plating - EN 248; Mixer EN 817; Hose EN 1113;
