
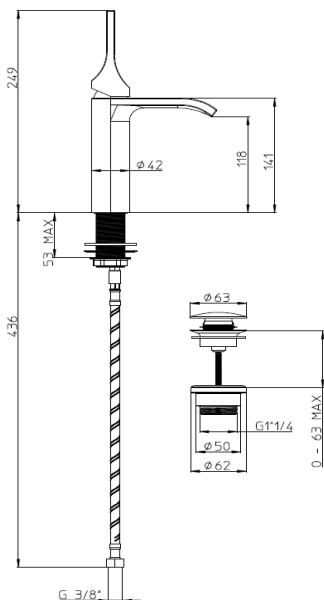
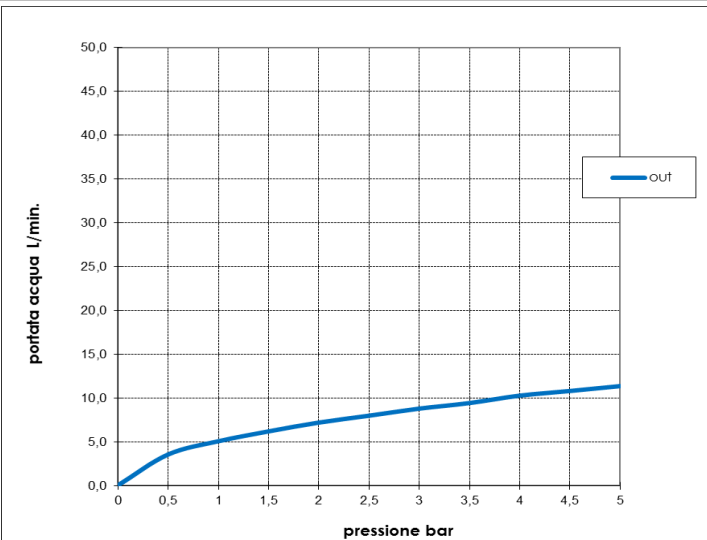


|  |  |
|--|--|
| <b>Codice - Code:</b>  | <b>Descrizione - Description:</b>  |
| <b>E89603</b><br>APICE-M (Medium) single lever mixer for wash basins | Miscelatore monocomando lavabo APICE-M (Medium) con aeratore rettangolare 28x7mm. Scarico 1"1/4 click-clack e flessibili inox 3/8" F<br><br>APICE-M (Medium) single lever basin mixer with 28x7mm rectangular aerator. 1"1/4 click-clack waste and 3/8" F stainless steel flexible hoses.  |
| <b>Tecnologia - Technology:</b>                                      | <i>APICE-M (Medium) Einhebel Waschtischmischer mit rechteckigem Strahlregler 28x7mm Ablaufventil 1"1/4 und 3/8" iG Schläuche aus Edelstahl</i><br><br><i>Mitigeur monocommande lavabo APICE-M (Medium) avec aérateur rectangulaire 28x7mm. Vidage 1"1/4 et flexibles en acier inoxydable 3/8" F</i><br><br><i>Mezclador monomando lavabo APICE-M (Medium) con aireador rectangular 28x7mm. Desagüe 1"1/4 y flexibles en acero inox 3/8" F</i><br><br><i>Смеситель монорычажный для раковины APICE-M (Medium) с прямоугольным аэратором 28x7мм. Донный клапан 1"1/4 и гибкая подводка из нерж. стали 3/8" F</i> |

|  |   |
|--|---|
| <b>Immagine Prodotto - Product Image</b>   | <b>Disegni - Drawings</b>   |
|  |  |

| <b>Grafico di portata - Flow rate diagram</b>   |                      |     |   |     |     |     |   |     |     |     |   |     |     |     |   |     |     |     |   |      |     |      |   |      |                      |                      |  |
|---|----------------------|-----|---|-----|-----|-----|---|-----|-----|-----|---|-----|-----|-----|---|-----|-----|-----|---|------|-----|------|---|------|----------------------|----------------------|--|
| <table border="1"> <thead> <tr> <th></th> <th>out</th> </tr> </thead> <tbody> <tr><td>0</td><td>0,0</td></tr> <tr><td>0,5</td><td>3,6</td></tr> <tr><td>1</td><td>5,1</td></tr> <tr><td>1,5</td><td>6,2</td></tr> <tr><td>2</td><td>7,2</td></tr> <tr><td>2,5</td><td>8,0</td></tr> <tr><td>3</td><td>8,8</td></tr> <tr><td>3,5</td><td>9,5</td></tr> <tr><td>4</td><td>10,3</td></tr> <tr><td>4,5</td><td>10,8</td></tr> <tr><td>5</td><td>11,4</td></tr> <tr> <td>pressione <b>bar</b></td> <td>portata <b>L/min</b></td> </tr> </tbody> </table> |                      | out | 0 | 0,0 | 0,5 | 3,6 | 1 | 5,1 | 1,5 | 6,2 | 2 | 7,2 | 2,5 | 8,0 | 3 | 8,8 | 3,5 | 9,5 | 4 | 10,3 | 4,5 | 10,8 | 5 | 11,4 | pressione <b>bar</b> | portata <b>L/min</b> |  |
|   | out                  |     |   |     |     |     |   |     |     |     |   |     |     |     |   |     |     |     |   |      |     |      |   |      |                      |                      |  |
| 0   | 0,0                  |     |   |     |     |     |   |     |     |     |   |     |     |     |   |     |     |     |   |      |     |      |   |      |                      |                      |  |
| 0,5   | 3,6                  |     |   |     |     |     |   |     |     |     |   |     |     |     |   |     |     |     |   |      |     |      |   |      |                      |                      |  |
| 1   | 5,1                  |     |   |     |     |     |   |     |     |     |   |     |     |     |   |     |     |     |   |      |     |      |   |      |                      |                      |  |
| 1,5   | 6,2                  |     |   |     |     |     |   |     |     |     |   |     |     |     |   |     |     |     |   |      |     |      |   |      |                      |                      |  |
| 2   | 7,2                  |     |   |     |     |     |   |     |     |     |   |     |     |     |   |     |     |     |   |      |     |      |   |      |                      |                      |  |
| 2,5   | 8,0                  |     |   |     |     |     |   |     |     |     |   |     |     |     |   |     |     |     |   |      |     |      |   |      |                      |                      |  |
| 3   | 8,8                  |     |   |     |     |     |   |     |     |     |   |     |     |     |   |     |     |     |   |      |     |      |   |      |                      |                      |  |
| 3,5   | 9,5                  |     |   |     |     |     |   |     |     |     |   |     |     |     |   |     |     |     |   |      |     |      |   |      |                      |                      |  |
| 4   | 10,3                 |     |   |     |     |     |   |     |     |     |   |     |     |     |   |     |     |     |   |      |     |      |   |      |                      |                      |  |
| 4,5   | 10,8                 |     |   |     |     |     |   |     |     |     |   |     |     |     |   |     |     |     |   |      |     |      |   |      |                      |                      |  |
| 5   | 11,4                 |     |   |     |     |     |   |     |     |     |   |     |     |     |   |     |     |     |   |      |     |      |   |      |                      |                      |  |
| pressione <b>bar</b>  | portata <b>L/min</b> |     |   |     |     |     |   |     |     |     |   |     |     |     |   |     |     |     |   |      |     |      |   |      |                      |                      |  |

**Caratteristiche idrauliche - Hydraulic features**

|  | Pressione<br>Pressure | Portata<br>Flow rate | Solo per miscelatori termostatici<br>Only for thermostatic mixers |    |
|--|-----------------------|----------------------|---|----|
| min  | 1 bar                 | <b>5,1 L/min</b>     | Blocco di sicurezza<br>Safety lock                                | -- |
| max  | 5 bar                 | <b>11,4 L/min</b>    | Temperatura acqua fredda<br>Cold water temperature                | -- |
| Portata minima consigliata per buon funzionamento<br>Recommended minimum flow-rate for optimal performance |                       | --                   | Temperatura acqua calda<br>Hot water temperature                  | -- |

**Materiali - Materials**

**Miscelatore:** Corpo in ottone  
**Manopola:** Zama

**Mixer :** Brass body  
**Handle :** Zama alloy

**Certificazioni - Certifications**

**Conformità' - Conformity**

Mixer - EN817; Chrome plating - EN 248