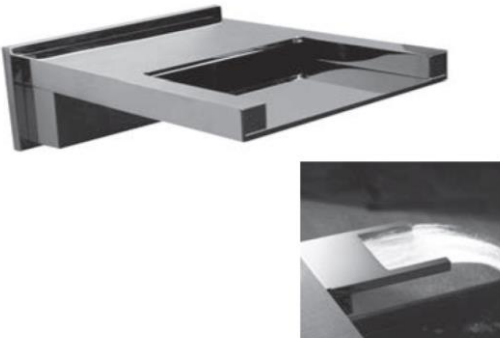
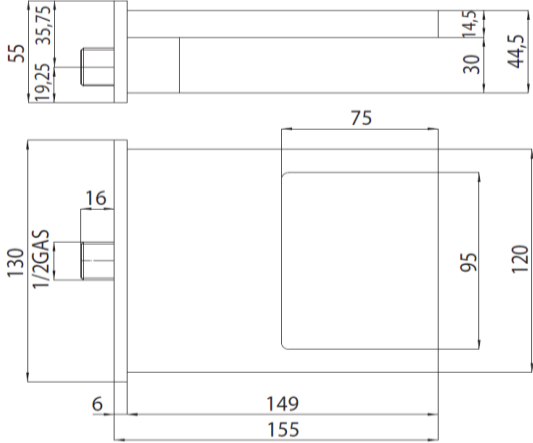
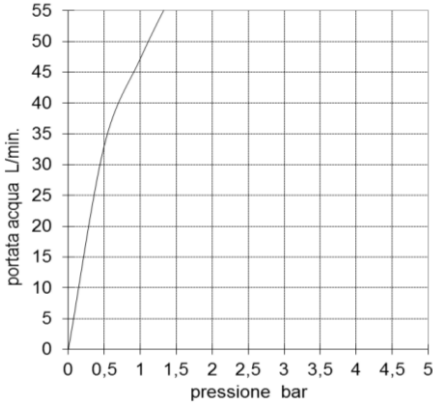
		SCHEDA TECNICA TECHNICAL SHEET		Date: 27/06/2017	Rev/0																										
Codice / Code: E88500		Descrizione / description: Bocca Cascata vasca & doccia, ottone con getto a cascata 1/2" M Brass waterfall spout for bathtub & shower, 1/2" M wall inlet																													
Foto / image 		Disegni / drawings 																													
Grafico di portata / Flow rate diagram																															
<table border="1"> <thead> <tr> <th></th> <th>rain</th> </tr> </thead> <tbody> <tr><td>0</td><td>0</td></tr> <tr><td>0,5</td><td>33,1</td></tr> <tr><td>1</td><td>47,2</td></tr> <tr><td>1,5</td><td>58,9</td></tr> <tr><td>2</td><td>68,3</td></tr> <tr><td>2,5</td><td></td></tr> <tr><td>3</td><td></td></tr> <tr><td>3,5</td><td></td></tr> <tr><td>4</td><td></td></tr> <tr><td>4,5</td><td></td></tr> <tr><td>5</td><td></td></tr> <tr> <td>pressione bar</td> <td>portata L/min</td> </tr> </tbody> </table>			rain	0	0	0,5	33,1	1	47,2	1,5	58,9	2	68,3	2,5		3		3,5		4		4,5		5		pressione bar	portata L/min				
	rain																														
0	0																														
0,5	33,1																														
1	47,2																														
1,5	58,9																														
2	68,3																														
2,5																															
3																															
3,5																															
4																															
4,5																															
5																															
pressione bar	portata L/min																														
MATERIALI / materials OTTONE/BRASS																															
CARATTERISTICHE IDRAULICHE / hydraulic features																															
	pressione pressure	portata flow rate	temperatura temperature	<i>solo per miscelatori termostatici</i> <i>only for thermostatic mixers</i>																											
min	1 bar	--	--	Blocco di sicurezza safety lock	/																										
max	5 bar	--	--	Temperatura acqua fredda cold water temperature	/																										
consigliata recommended	2-3 bar	--	--	Temperatura acqua calda hot water temperature	/																										
CERTIFICAZIONI / CERTIFICATIONS:																															
CONFORMITA' / CONFORMITY : Chrome plating - EN 248.																															