



BOSSINI
HIGH QUALITY SHOWER SYSTEMS

SCHEDA TECNICA - TECHNICAL SHEET

17/03/2023

Rev: 0

Codice - Code:

D19004

Slide rail Ø20 L1100 with adjustable brackets, handshower Classic/1 Ø110 and flexible hose 175cm

Descrizione - Description:

Asta murale cm 110 Ø20 mm con supporti regolabili (interasse massimo 940 mm), doccia e flessibile ottone doppia aggiratura 175 cm

Cm 110 Ø20 mm slide rail with adjustable brackets (maximum fixation distance 940 mm), handshower and double interlock flexible brass hose 175 cm

Tecnologia - Technology:



Brausestange cm 110 Ø20 mm mit verstellbaren Wandhalter (maximale Montagelänge 940 mm), Handbrause und 175 cm Doppelwicklung Brauseschläuche aus Messing

Barre murale cm 110 Ø20 mm avec supports muraux réglables (entraxe maximal 940 mm), douchette et flexible en laiton double agrafage 175 cm

Barra deslizante cm 110 Ø20 mm con soporte superior regulable (distancia máxima de fijación 940 mm), mango ducha y flexible en latón doble grapado 175 cm

Штанга настенная 110 см Ø20 мм с регулируемым креплением, (максимальное расстояние 940 мм) Ручная лейка, Шланг из латуни дв. фальцевания 175 см

Immagine Prodotto - Product Image



Disegni - Drawings

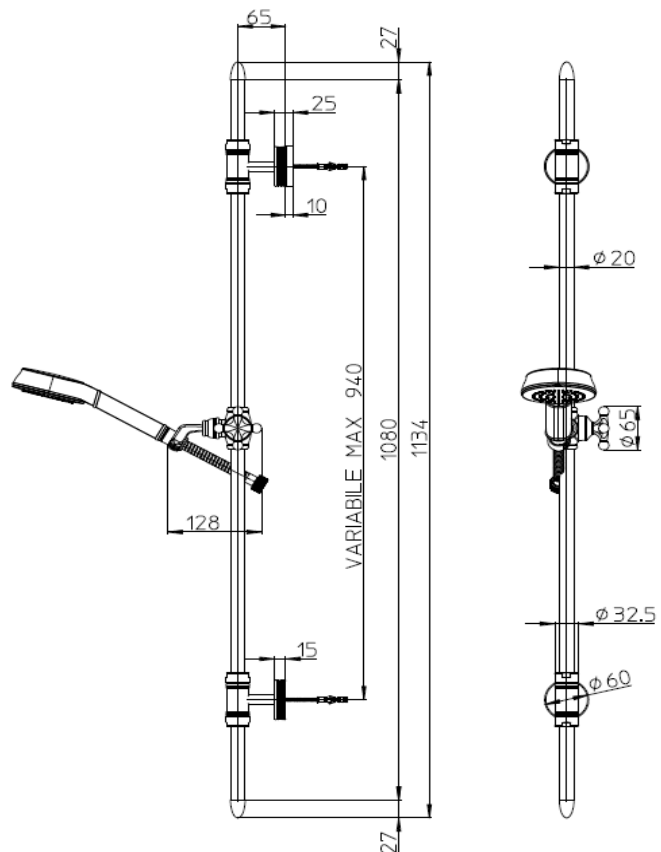
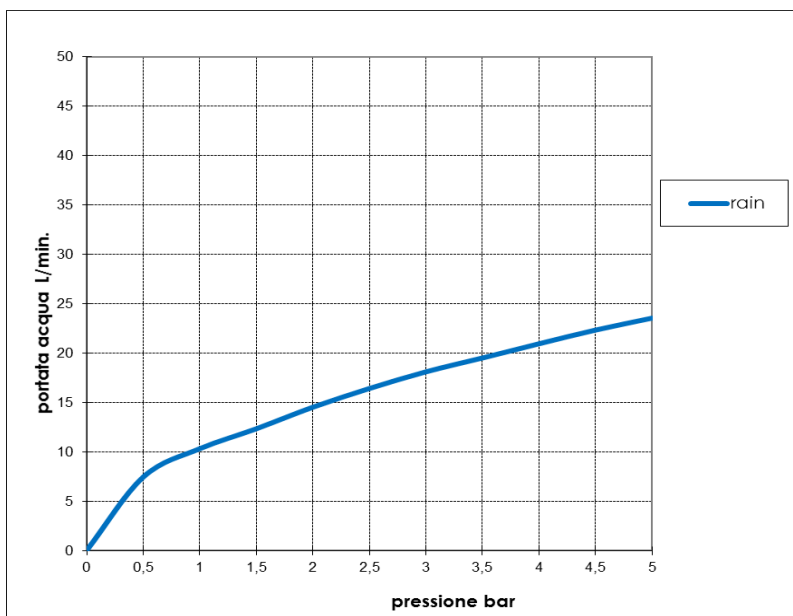


Grafico di portata - Flow rate diagram

| | rain |
|----------------------|----------------------|
| 0 | 0,0 |
| 0,5 | 7,5 |
| 1 | 10,3 |
| 1,5 | 12,4 |
| 2 | 14,5 |
| 2,5 | 16,4 |
| 3 | 18,1 |
| 3,5 | 19,5 |
| 4 | 21,0 |
| 4,5 | 22,4 |
| 5 | 23,6 |
| pressione bar | portata L/min |



Caratteristiche idrauliche - Hydraulic features

| | Pressione Pressure | Portata Flow rate |
|--|-----------------------|----------------------|
| min | 1 bar | 10,3 L/min |
| max | 5 bar | 23,6 L/min |
| Portata minima consigliata per buon funzionamento Recommended minimum flow-rate for optimal performance | | 5 L/min |

| | |
|---|----|
| Solo per miscelatori termostatici Only for thermostatic mixers | |
| Blocco di sicurezza Safety lock | -- |
| Temperatura acqua fredda Cold water temperature | -- |
| Temperatura acqua calda Hot water temperature | -- |

Materiali - Materials

Asta murale D19001: Tubo, centrale scorrevole e supporti in ottone
Doccia B00193: Corpo ABS e ugelli in silicone
Flessibile A03045: Esterno e raccordi in ottone, tubo interno in PVC, guarnizioni in EPDM

Slide rail D19001: Tube, slider and supports in brass
Handshower B00193: ABS body and silicone nozzles
Hose A03045: External part and connections in brass, PVC inside pipe and gaskets in EPDM

Certificazioni - Certifications

Handshower B00193:



Flexible hose A03045:



Conformità' - Conformity

Handshower - EN1112; Flexible hose - EN 1113; Chrome plating - EN 248